

# DA-1-CE00428 Disassembly Instructions

Disassembly Instructions for disposal of components of ventilation units according to EU 1253/2014.

## Safety Instructions

- Ensure electrical supply to the product is disconnected before any work begins
- Review Installation Instructions of the product to ensure compliance with safety specifications
- Disassembly should only be attempted by someone of appropriate competency

## Tools Required

- Phillips Screwdriver
- Nippers
- Pliers

## General Notes

To ease disassembly, it is recommended that wiring to sensors and motors within the ventilation unit are cut during disassembly.

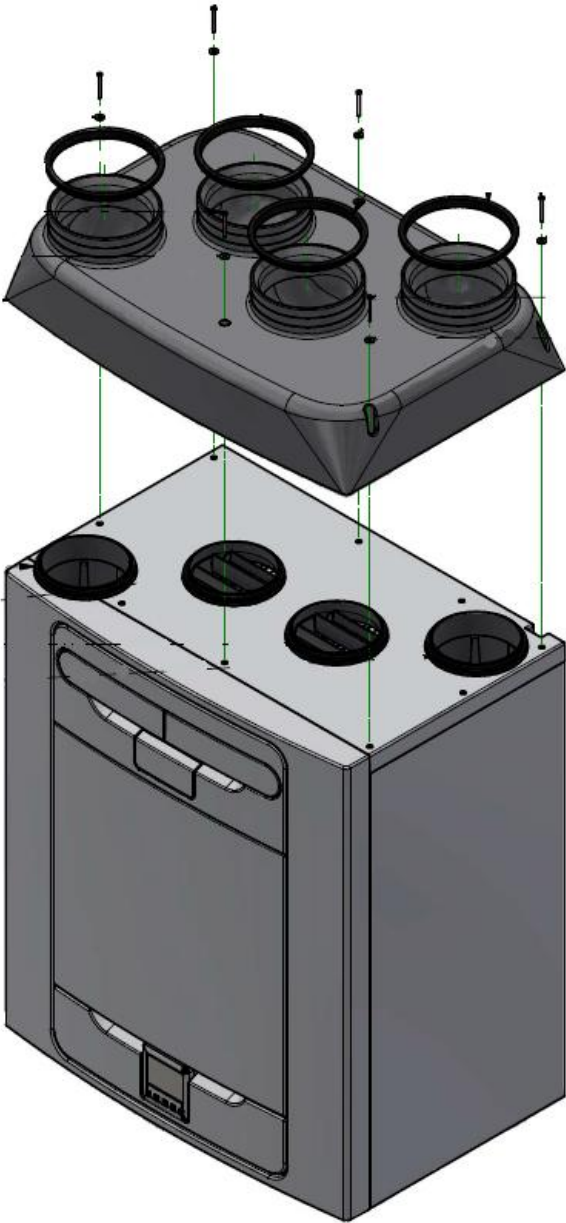
## Disposal

Disposal must be carried out professionally and in accordance with the national legal requirements. Materials should be separated by type, if necessary, consult with a waste disposal specialist.

## SKUs

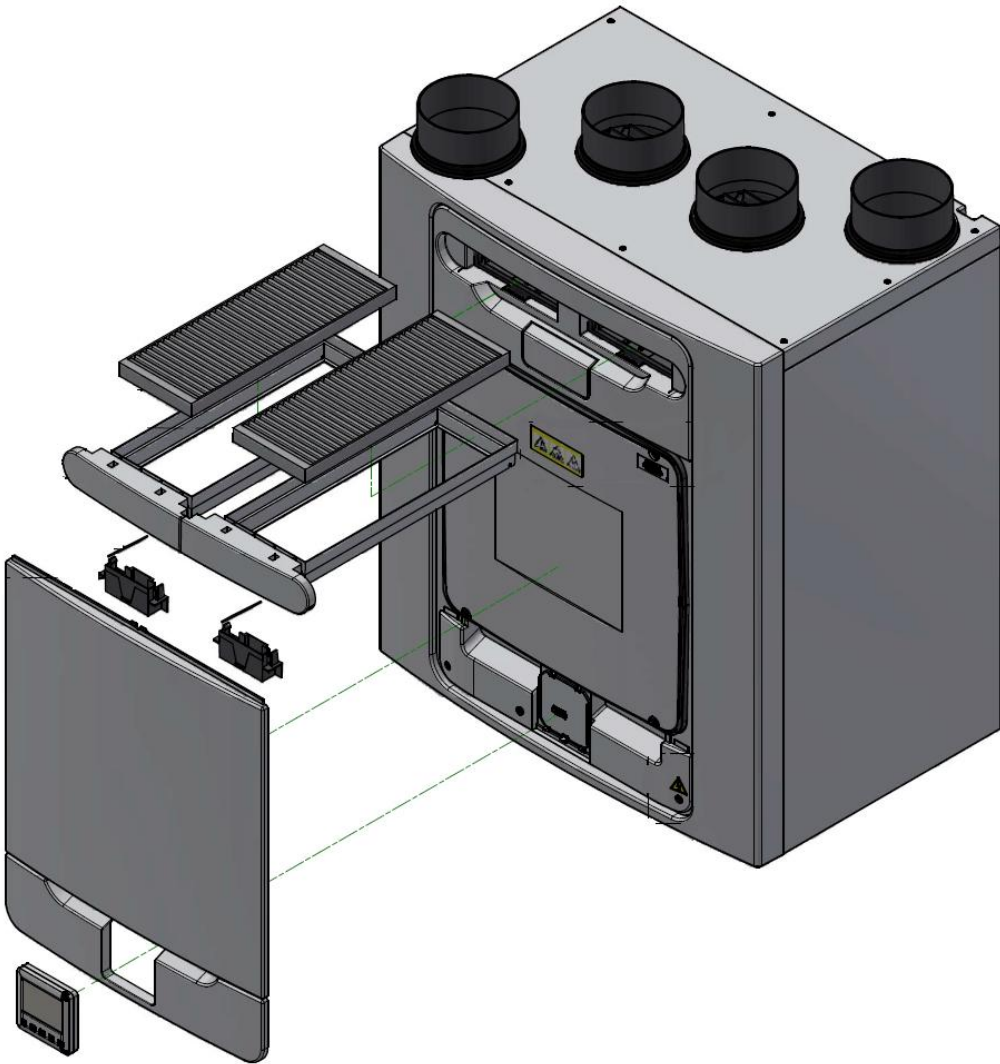
1004000139
1004000140
1004000141
1004000142
1004000292
1004000293

**EPP Spigots for applicable models**

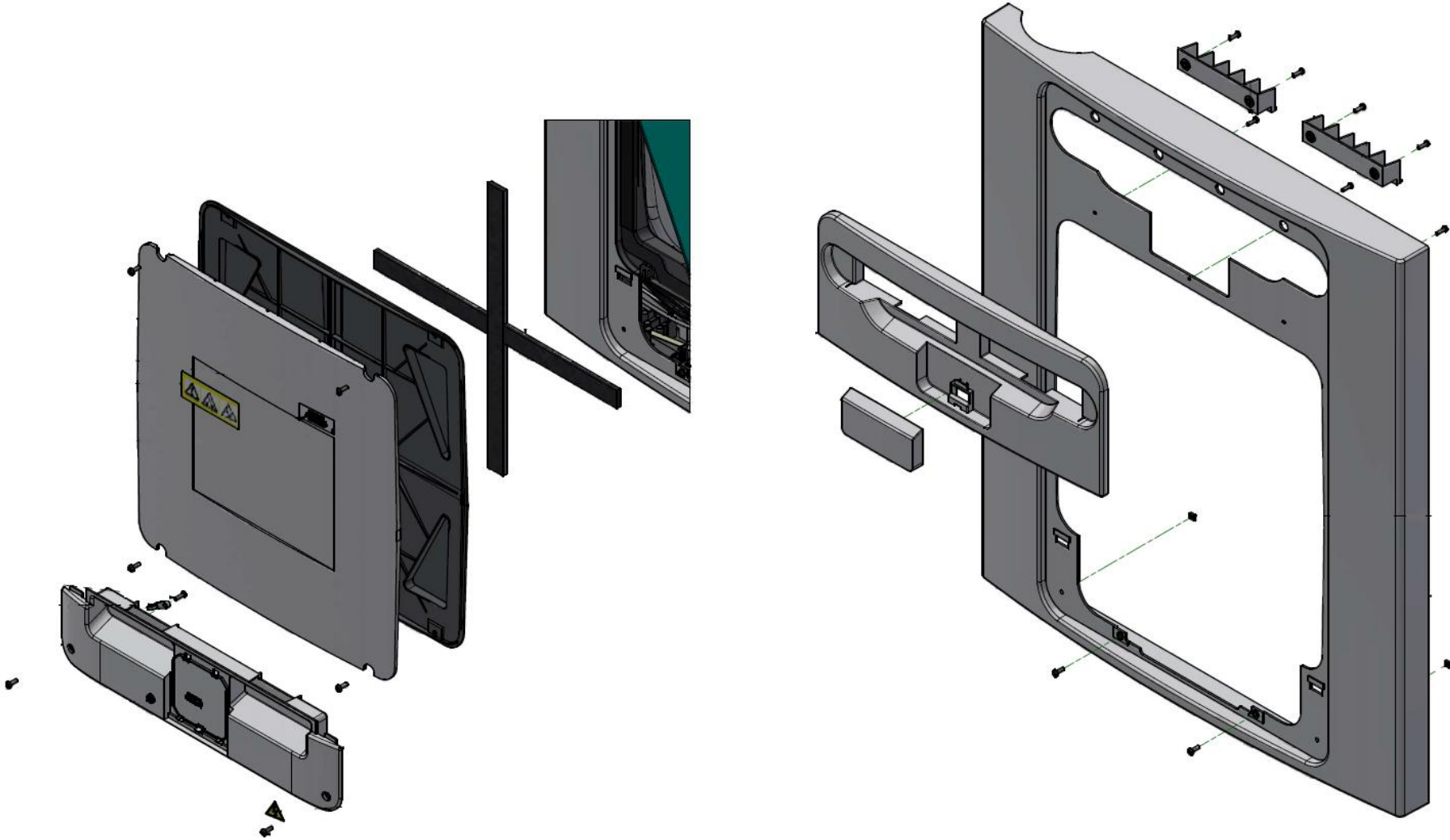


**WITH EPP SPIGOT ADAPTOR FITTED**

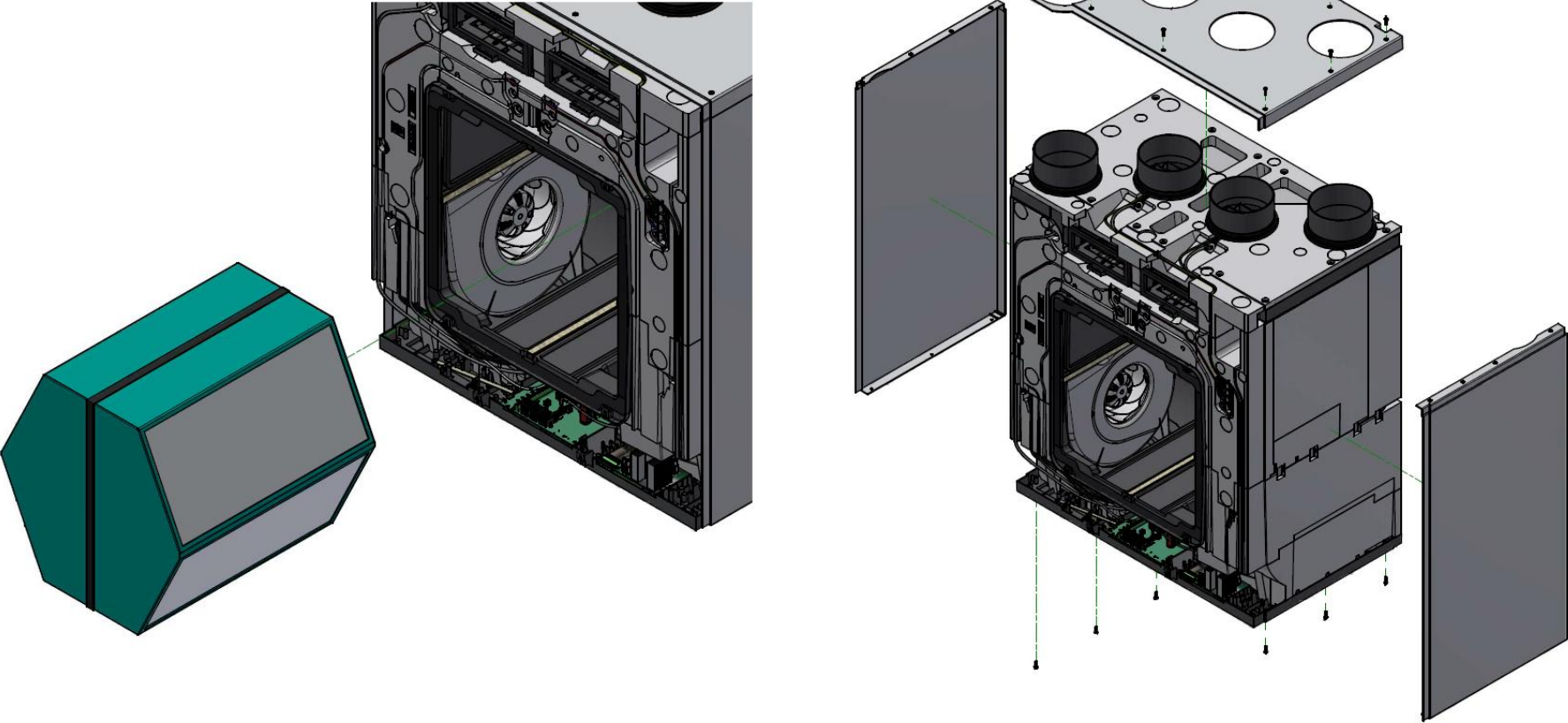
**Filter housings, Front cover and Controller**



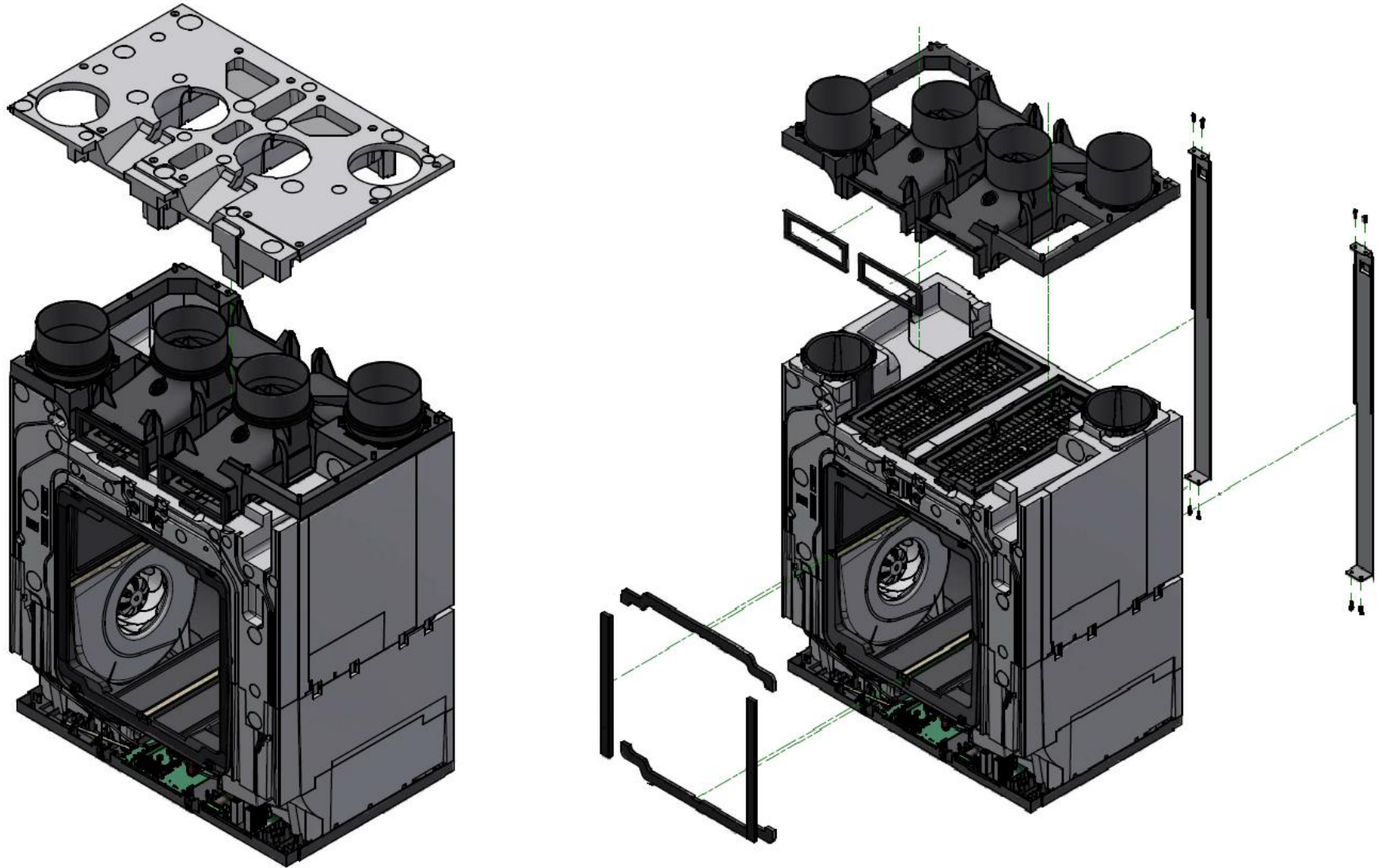
Front Panels



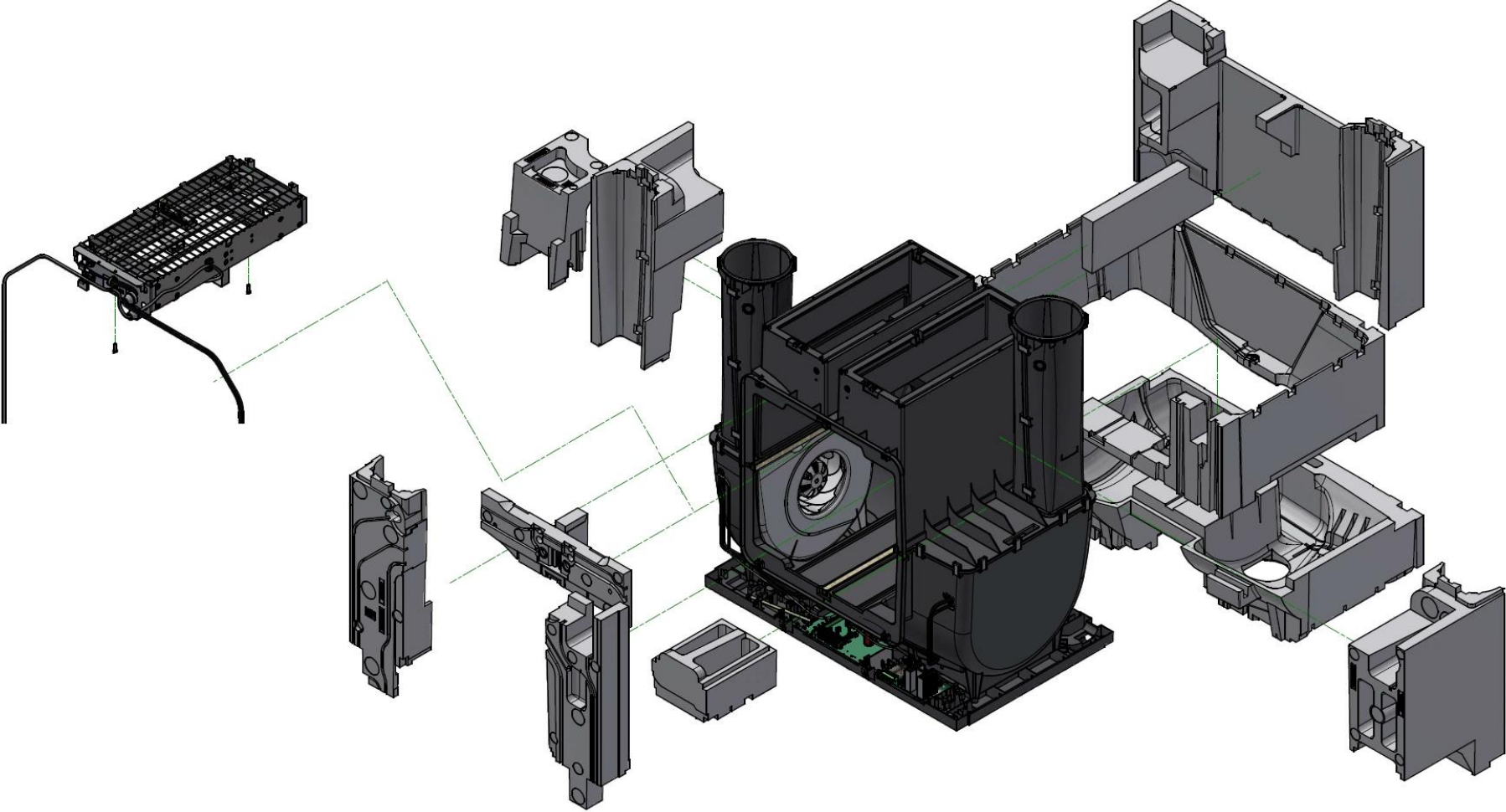
HR Cell, Top and Side Panels



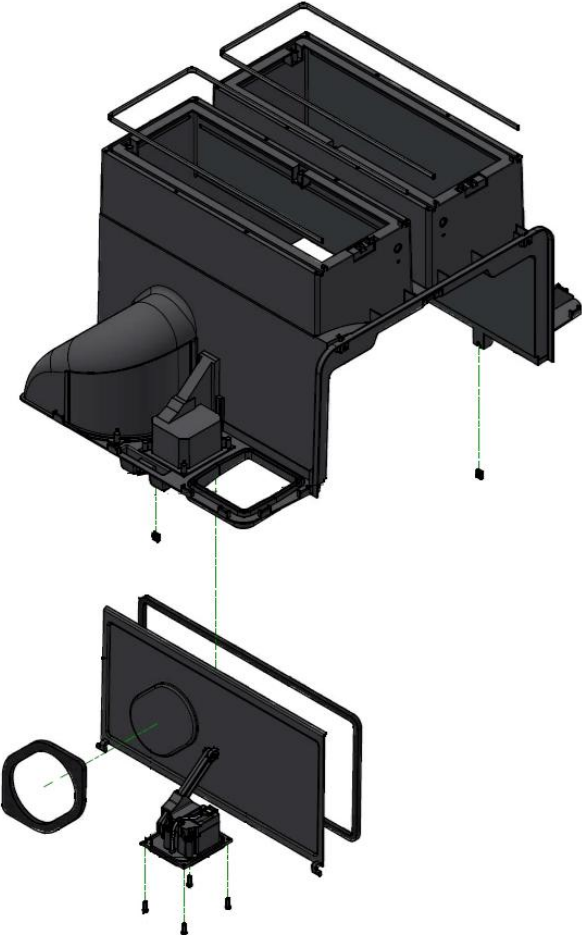
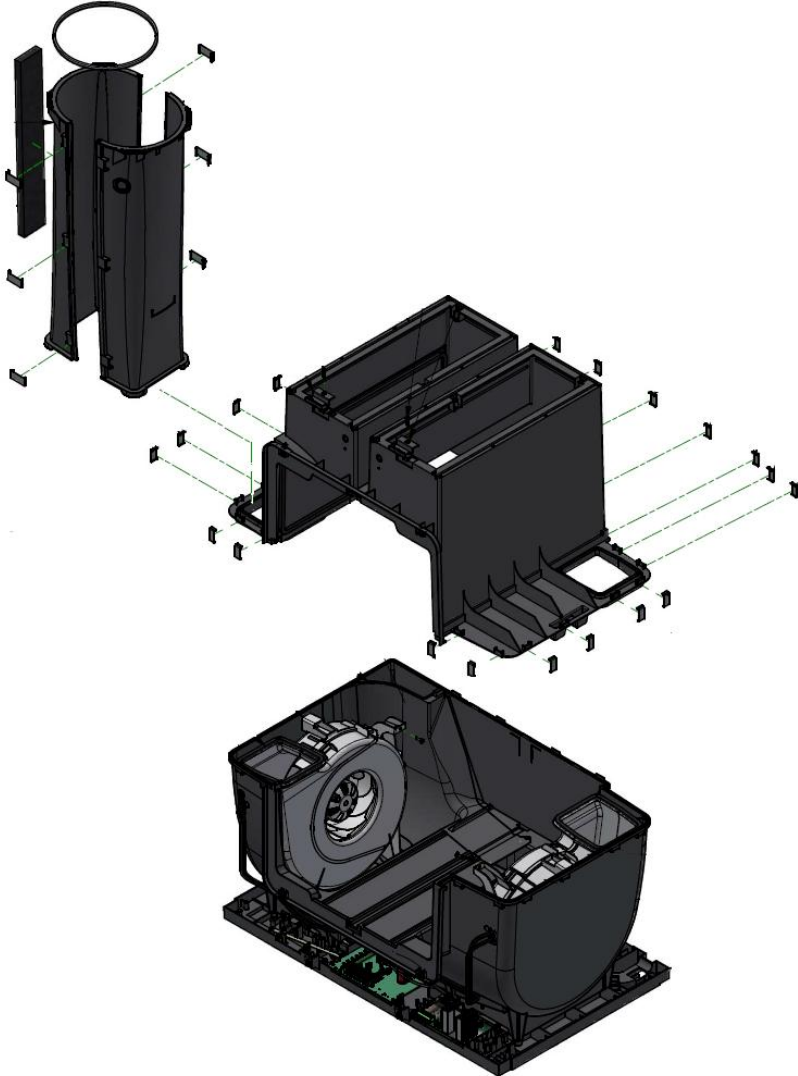
## Spigots and Top Foam



Foams & Pre Heater for applicable models



HR Cell housing and Bypass



## Motor Scroll Assembly

